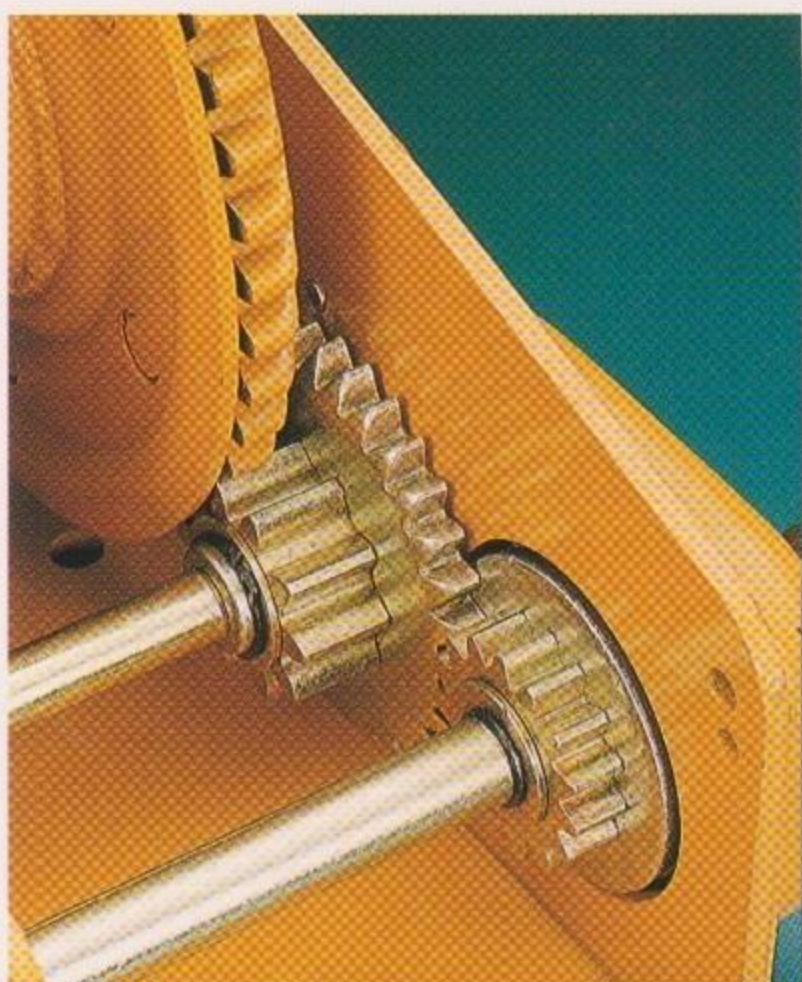


## ■ SPECIFICATIONS :

# Yale MANUAL WINCH

Model Number	BHW-800	BHW-1200	BHW-1800	BHW-2600
Capacity(Lbs.)	800	1200	1800	2600
Hand Force Required (kg)	14.5	15	22	19
Gear Ratio	4.1 : 1	4.1 : 1	5 : 1	10 : 1
Hub Diameter(mm)	ø40	ø50	ø70	ø80
Handle Length(mm)	160	210	320	320
Unit Weight (kg)	3	3.3	8	10.3
Rope Diameter (mm)(Ref.)	ø4	ø5	ø7	ø8
Rope Storage Cap.(M)	36	23	24	18



## ■ SUPERIOR GEAR DESIGN :

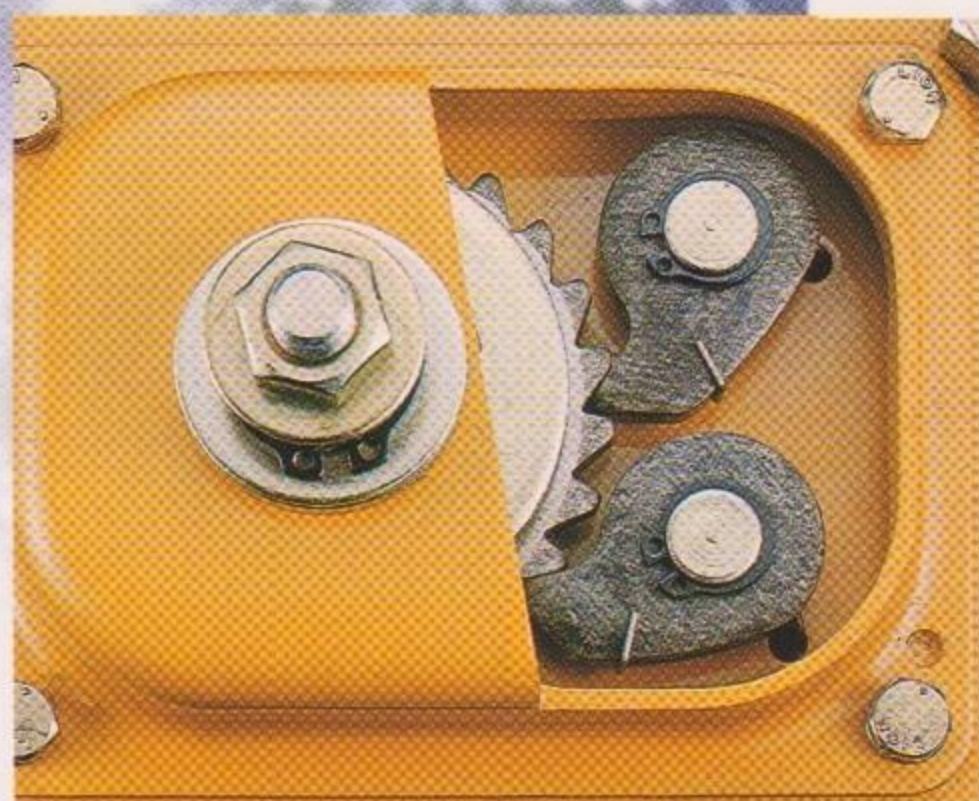
In one operation which includes heat-treatment and electroplating,

The gears are made strong, durable, and corrosion resistant.

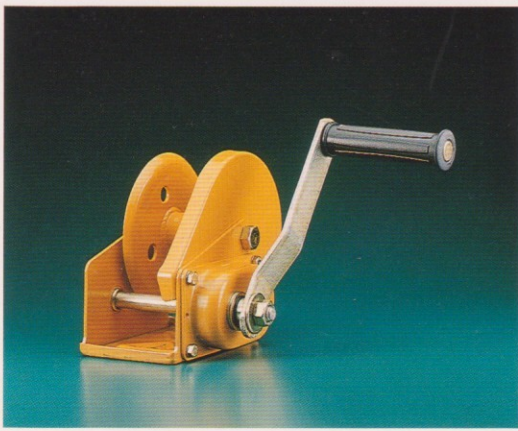
High precision construction minimizes gear noise.

## ■ DOUBLE BRAKE PAWL FOR EXTRA SAFETY :

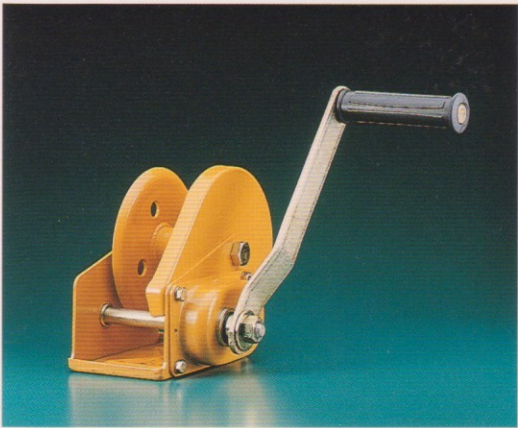
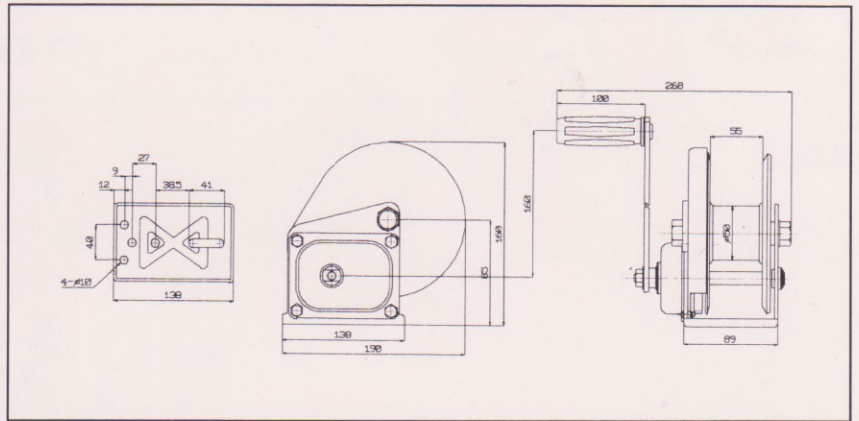
Winches have a mechanical brake system with a double brake pawl made of heat treated alloy steel to withstand wear and provide extra safety under all operating conditions.



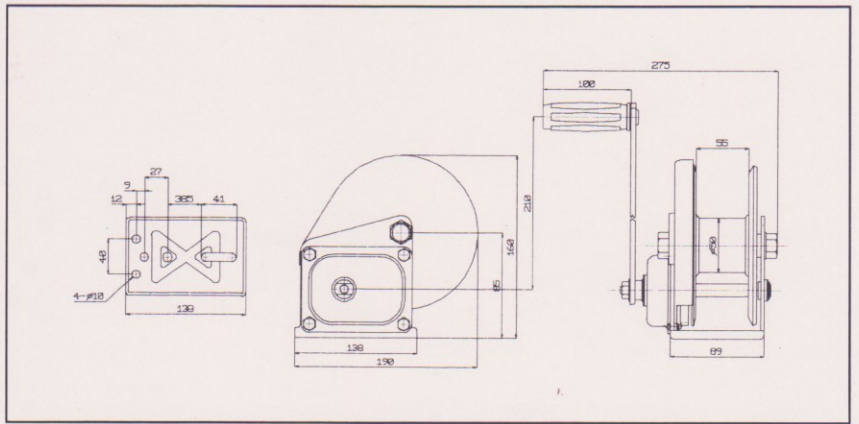
**TISA TRANSMISIONES**



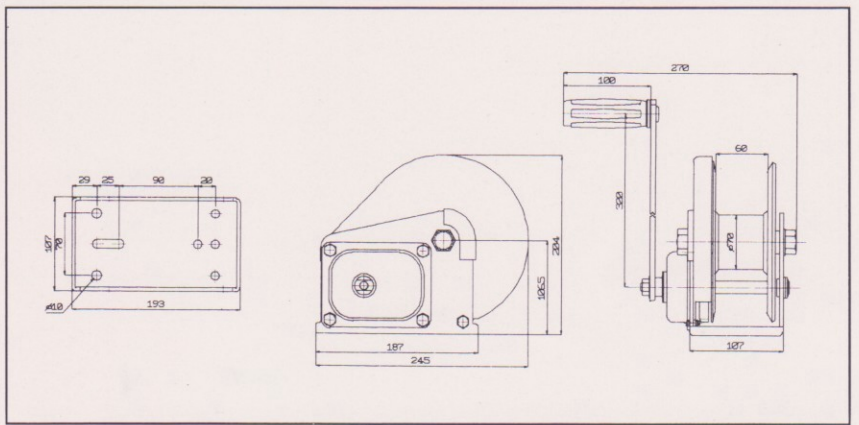
BHW-800



BHW-1200



BHW-1800



BHW-2600

